



Meaningful Innovation.

WEEE Number: 80133970

INSTRUCTION MANUAL

INFRARED MOTION SENSOR

TECHNICAL DATA

MODEL	VT-81011
SKU	23427
INPUT VOLTAGE	AC: 220-240V, 50/60 Hz
RATED LOAD	Max. 800W 400W +LED
TIME DELAY	Min. 10sec \pm 3sec Max. 15min \pm 2min
DETECTION RANGE	360°
DETECTION DISTANCE	8m Max (<24° C)
DETECTION MOTION SPEED	0.6-1.5m/s
WORKING TEMPERATURE	-20°C to +40°C
WORKING HUMIDITY	<93%RH
POWER CONSUMPTION	Approx. 0.9W
IP RATING	IP20



COMPATIBLE WITH

V-TAC LED
RANGE (UPTO 400W)

05 YEAR
WARRANTY*

AMBIENT LIGHT	<3-2000 LUX (Adjustable)
INSTALLATION HEIGHT	2.2-4m
DIMENSION	Ø102x24.9 mm

INTRODUCTION & WARRANTY

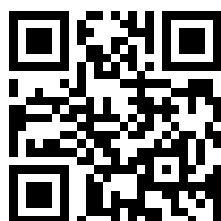
Thank you for selecting and buying V-TAC product. V-TAC will serve you the best. Please read these instructions carefully before starting the installation and keep this manual handy for future reference. If you have any another query, please contact our dealer or local vendor from whom you have purchased the product. They are trained and ready to serve you at the best. The warranty is valid for 5 years from the date of purchase. The warranty does not apply to damage caused by incorrect installation or abnormal wear and tear. The company gives no warranty against damage to any surface due to incorrect removal and installation of the product.



Caution, risk of electric shock.



This marking indicates that this product should not be disposed of with other household wastes.



MULTI-LANGUAGE MANUAL QR CODE

Please scan the QR code to access the manual in multiple languages.



FR
Cet appareil, ses accessoires et cordons se recyclent

À DÉPOSER EN MAGASIN



À DÉPOSER EN DÉCHÈTERIE



Points de collecte sur www.quefairedemesdechets.fr
Privilégiez la réparation ou le don de votre appareil !

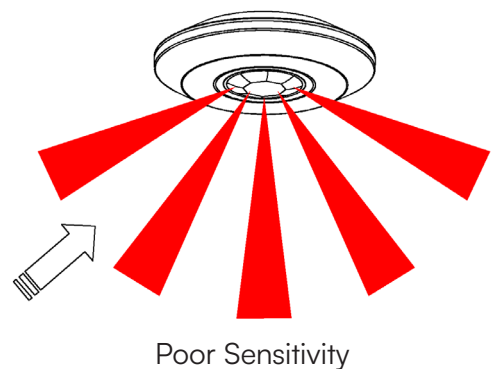
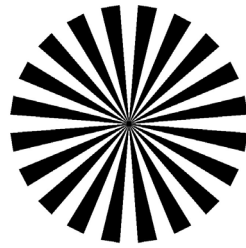
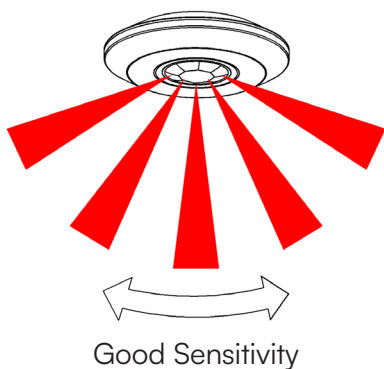
In case of any query/issue with the product, please reach out to us at: support@v-tac.eu
For More products range, inquiry please contact our distributor or nearest dealers.
V-TAC EUROPE LTD. Bulgaria, Plovdiv 4000, bul.L.Karavelow 9B

WARNING

1. Please make sure to turn off the power before starting the installation.
2. Installation must be performed by a qualified electrician.
3. Cover or shield any adjacent live components.
4. For indoor use only.

FUNCTION

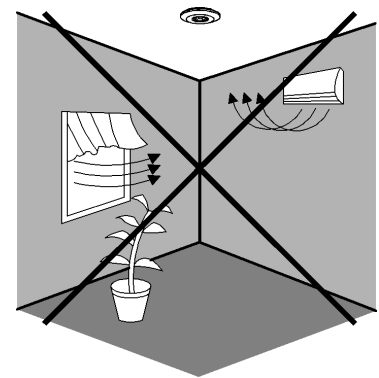
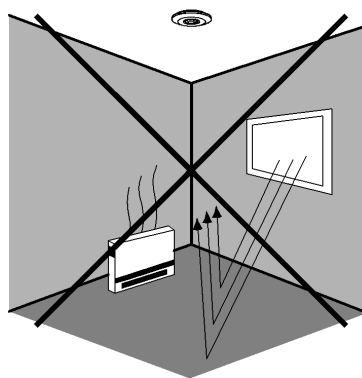
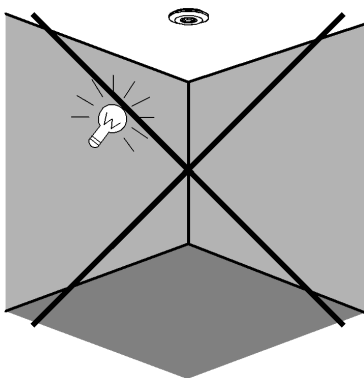
1. Can identify day and night: The consumer can adjust working state in different ambient light. It can work in the daytime and at night when it is adjusted on the "sun" position (max). It can work in the ambient light less than 3LUX when it is adjusted on the "3" position (min). As for the adjustment pattern, please refer to the testing pattern.
2. Time-Delay is added continually: When it receives the second induction signals within the first induction, it will restart to time from the moment.



INSTALLATION ADVICE

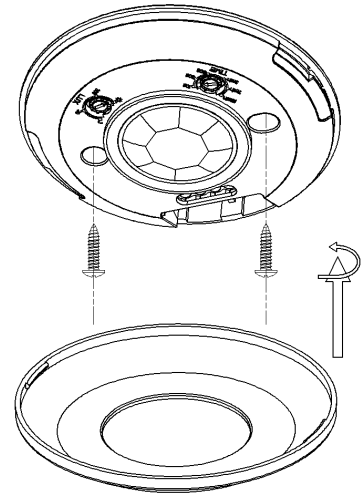
As the detector responds to changes in temperature, avoid the following situations:

- Avoid pointing the detector towards objects with highly reflective surfaces, such as mirrors etc.
- Avoid mounting the detector near heat sources, such as heating vents, air conditioning units, light etc.
- Avoid pointing the detector towards objects that may move in the wind, such as curtains, tall plants etc.

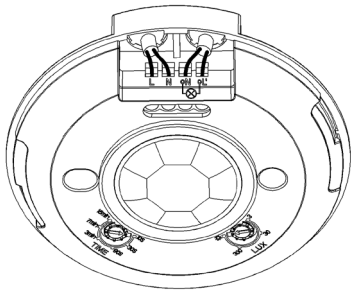


INSTALLATION

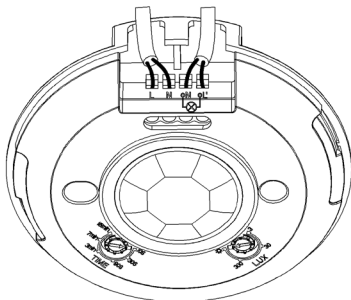
- Please move the upper cover with anti-clockwise whirl as per the diagram on the right.
- Connect the power and the load according to the connection-wire diagram.
- Fix the bottom on the selected position with the inflated screw.
- Install back the upper cover on the sensor, then you could switch on the power and test it.



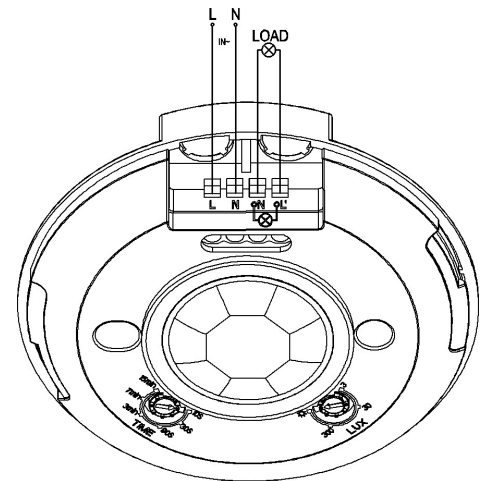
WIRING DIAGRAM



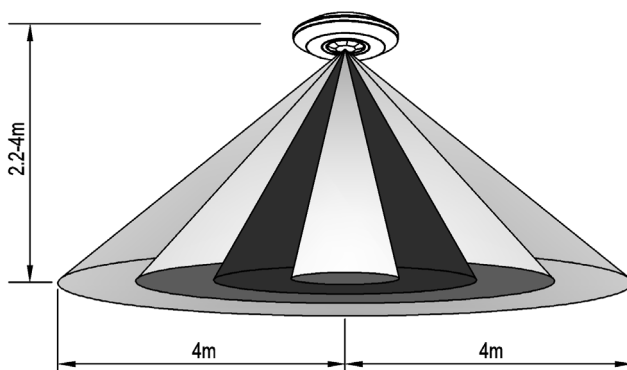
The wires come in and out from the bottom



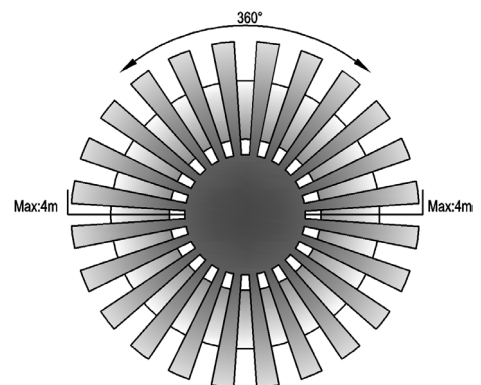
The wires come in and out from the side



SENSOR INFORMATION



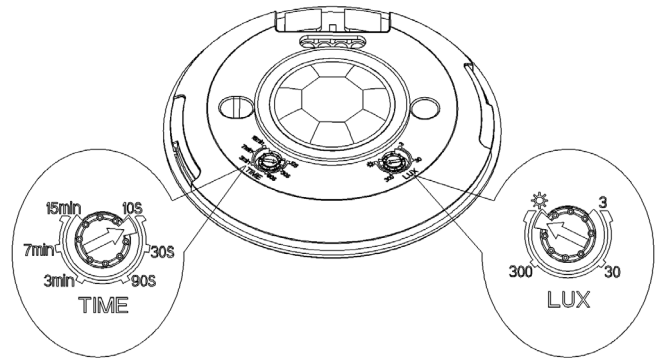
Height of Installation: 2.2-4m



DETECTION DISTANCE: Max. 8m

TEST

- Turn the TIME knob anti-clockwise on the minimum (10s). Turn the LUX knob clockwise on the maximum (sun).
- Switch on the power; the sensor and its connected lamp will have no signal at the beginning. After Warm-up 30sec, the sensor can start work. If the sensor receives the induction signal, the lamp will turn on. While there is no another induction signal



any more, the load should stop working within $10\text{sec} \pm 3\text{sec}$ and the lamp would turn off.

- Turn LUX knob anti-clockwise on the minimum (3). If the ambient light is more than 3LUX, the sensor would not work and the lamp stop working too. If the ambient light is less than 3LUX (darkness), the sensor would work. Under no induction signal condition, the sensor should stop working within $10\text{sec} \pm 3\text{sec}$.

Note: when testing in daylight, please turn LUX knob to ☀ (SUN) position, Otherwise the sensor lamp will not work. If the lamp is more than 60W, the distance between lamp and sensor should be 60cm at least.

TROUBLESHOOTING

- **The load does not work:**

- Please check if the connection of power source and load is correct.
- Please check if the load is good.
- Please check if the settings of working light correspond to ambient light.

- **The sensitivity is poor:**

- Please check if there is any hindrance in front of the detector to affect it to receive the signals.
- Please check if the ambient temperature is too high.
- Please check if the induction signal source is in the detection field.
- Please check if the installation height corresponds to the height required in the instruction.
- Please check if the moving orientation is correct.

- **The sensor can not shut off the load automatically:**

- Please check if there is continual signal in the detection field.
- Please check if the time delay is set to the maximum position.

RoHS



UK
CA

