



Meaningful Innovation.

WEEE Number: 80133970

# INSTRUCTION MANUAL

## LED HIGHBAY

### TECHNICAL DATA

MODEL	VT-9-154		
SKU	23736	23737	23738
COLOR TEMPERATURE	4000K	5000K	6500K
USEFUL LUMENS	27750 Lm		
WATTS	80W/120W/150W (Changeable)		
INPUT VOLTAGE	AC: 200-240V, 50/60hz		
BEAM ANGLE	90°		
LIFE SPAN	30,000 Hours		
ON/OFF CYCLE	15,000 Times		
CRI	>80		
DF	0.8		
MATERIAL	Aluminium		
WIRE LENGHT	250mm		
N.W (KGS)	0.79KGS/PC		
MAX. MOUNTING HEIGHT	<5M		
DIMENSION	Ø250x110x150mm		



Lumen efficiency

**210**  
LUMENS/W

**1** METER WIRE

**05** YEAR  
WARRANTY\*

**IK 08** RATING  
**IP65** RATING

### INTRODUCTION & WARRANTY

Thank you for selecting and buying V-TAC product. V-TAC will serve you the best. Please read these instructions carefully before starting the installation and keep this manual handy for future reference. If you have any another query, please contact our dealer or local vendor from whom you have purchased the product. They are trained and ready to serve you at the best. The warranty is valid for 5 years from the date of purchase. The warranty does not apply to damage caused by incorrect installation or abnormal wear and tear. The company gives no warranty against damage to any surface due to incorrect removal and installation of the product. The products are suitable for 10-12 Hours Daily operation. Usage of product for 24 Hours a day would void the warranty. This product is warranted for manufacturing defects only.

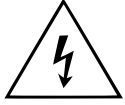
### WARNING

1. Please make sure to turn off the power before starting the installation.
2. Installation must be performed by a qualified electrician.
3. The light source of this luminaire is not replaceable; when the light source reaches its end of life the whole luminaire shall be replaced.
4. The external flexible cable or cord of this luminaire cannot be replaced; if the cord is damaged, the luminaire shall be destroyed.
5. Proper grounding should be ensured throughout the installation.
6. Terminal block not included.
7. To be connected with waterproof cable hose.
8. Replace any cracked protective shield.
9. Minimum distance from lighted objects 1m.
10. For outdoor use.

IN CASE OF ANY QUERY/ISSUE WITH THE PRODUCT PLEASE REACH OUT TO US AT  
SUPPORT@VTACEXPORTS.COM V-TAC HOUSE, KELPATRICK ROAD, SLOUGH, BERKSHIRE, SL1 6BW, UK.



This marking indicates that this product should not be disposed of with other household wastes.



Caution, risk of electric shock.



FR

Cet appareil, ses accessoires et cordons se recyclent

À DÉPOSER EN MAGASIN



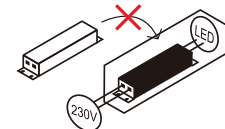
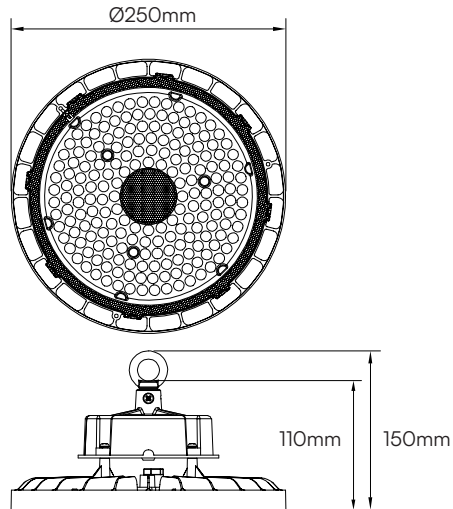
À DÉPOSER EN DÉCHÈTERIE



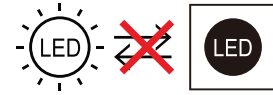
OU

Points de collecte sur [www.quefairedemesdechets.fr](http://www.quefairedemesdechets.fr)  
Privilégiez la réparation ou le don de votre appareil !

## DIMENSION

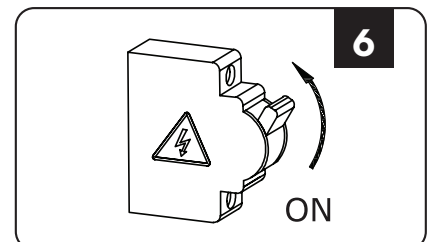
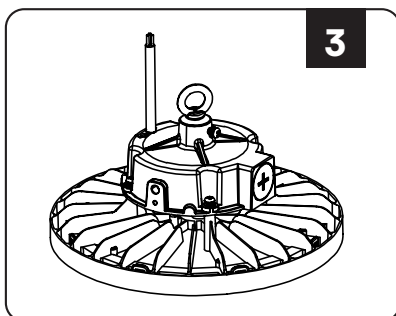
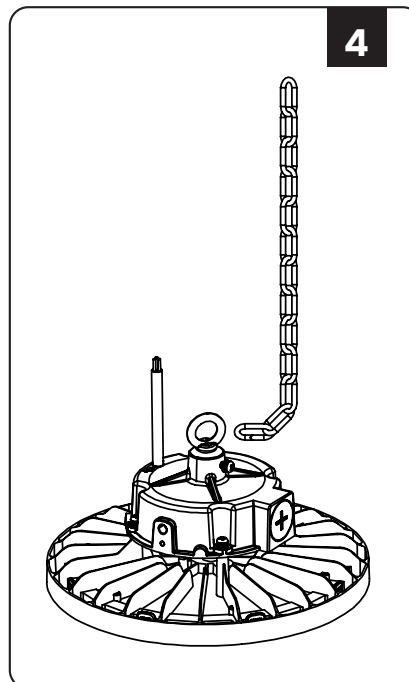
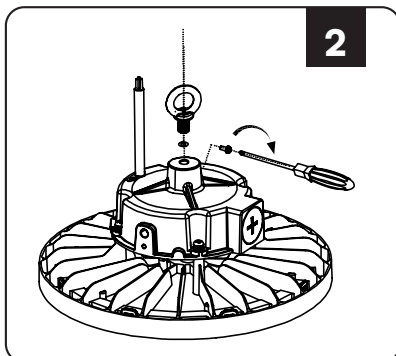
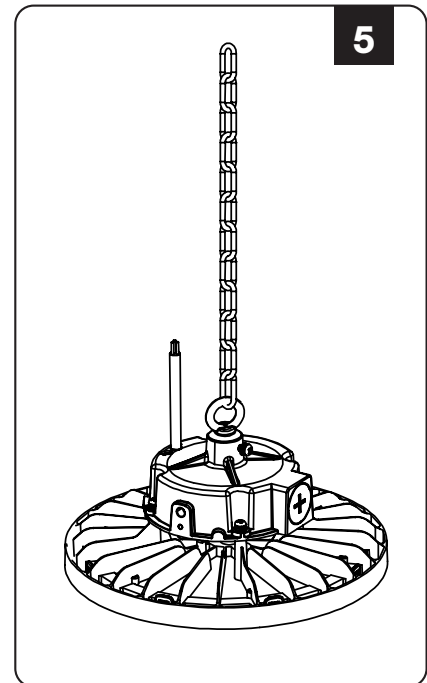
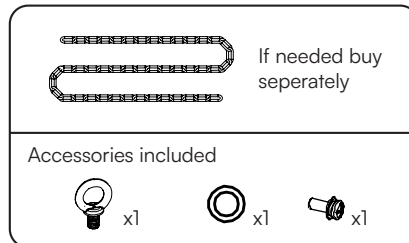
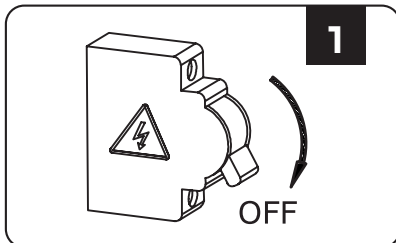


Non-replaceable control gear



Non-replaceable light source

## INSTALLATION DIAGRAM



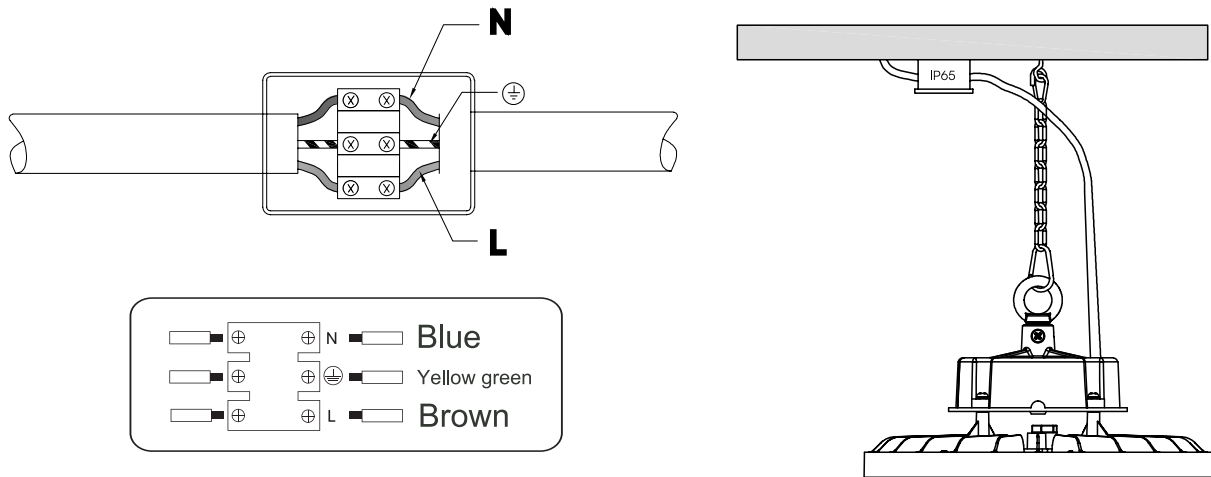
---

## INSTALLATION INSTRUCTION

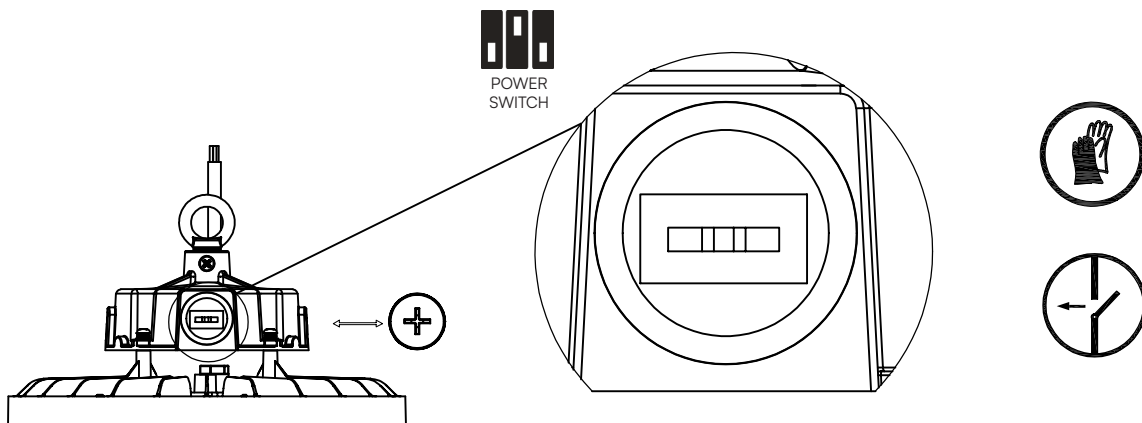
1. Turn off the power.
2. Attach the chain to the roof hook, ensuring it is securely fastened.
3. Connect the included hook to the designated mounting point on the LED Highbay light.
4. Tighten the screws to secure the hook to the light fixture.
5. Hang the LED Highbay light from the chain, ensuring it is properly supported.
6. Attach the 60/110-degree lens (sold separately, SKU-23750/23751) to the LED Highbay light. Ensure it is firmly in place and properly aligned by following the provided instructions.
7. Connect the electrical wires to the AC supply, adhering to the wiring diagram for correct connections.
8. Set the wattage level according to your lighting requirements.
9. Turn on the power and test the light.

Note: For sensor installation, refer to the installation diagram provided. (Sensor not included; must be purchased separately.)

## WIRING DIAGRAM

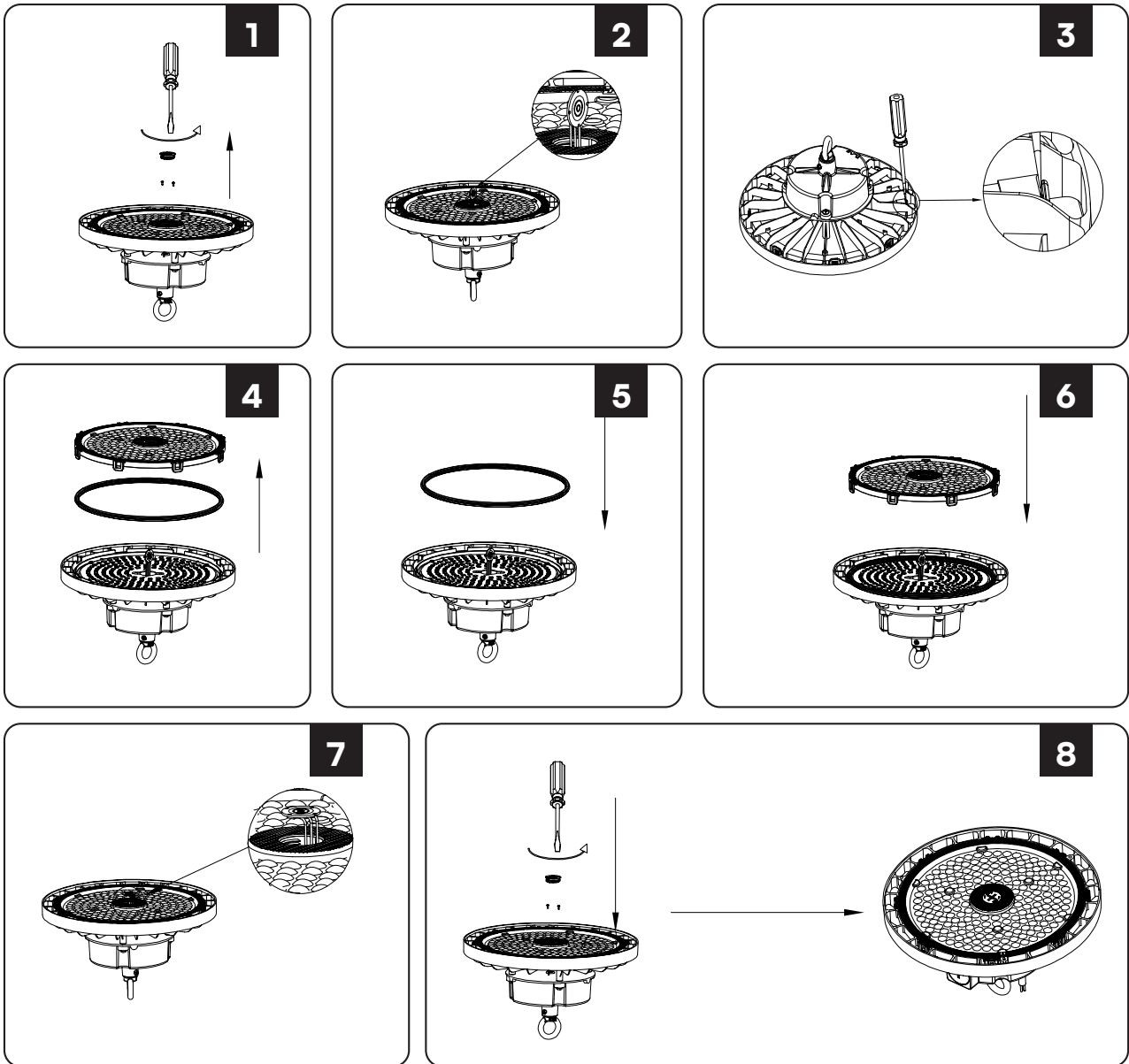


## WATTAGE ADJUSTMENT



## LENS REPLACEMENT DIAGRAM

[Not included buy seperately SKU-23750/23751]



## LENS REPLACEMENT INSTRUCTIONS

1. Utilize appropriate tools to remove the protective cap and screws from the sensor base
2. Gently pull out the patch panel and rotate it to an upright position.
3. Use a tool to prise the lens chips.
4. Detach the lens and the waterproof ring.
5. Carefully put the removed waterproof ring back on the heatsink first.
6. Install the new lens.
7. Place the panel flat and apply downward pressure to align the screw holes.
8. Use appropriate tools to secure the screws and reattach the protective cap to the lens.

RoHS



UK  
CA

